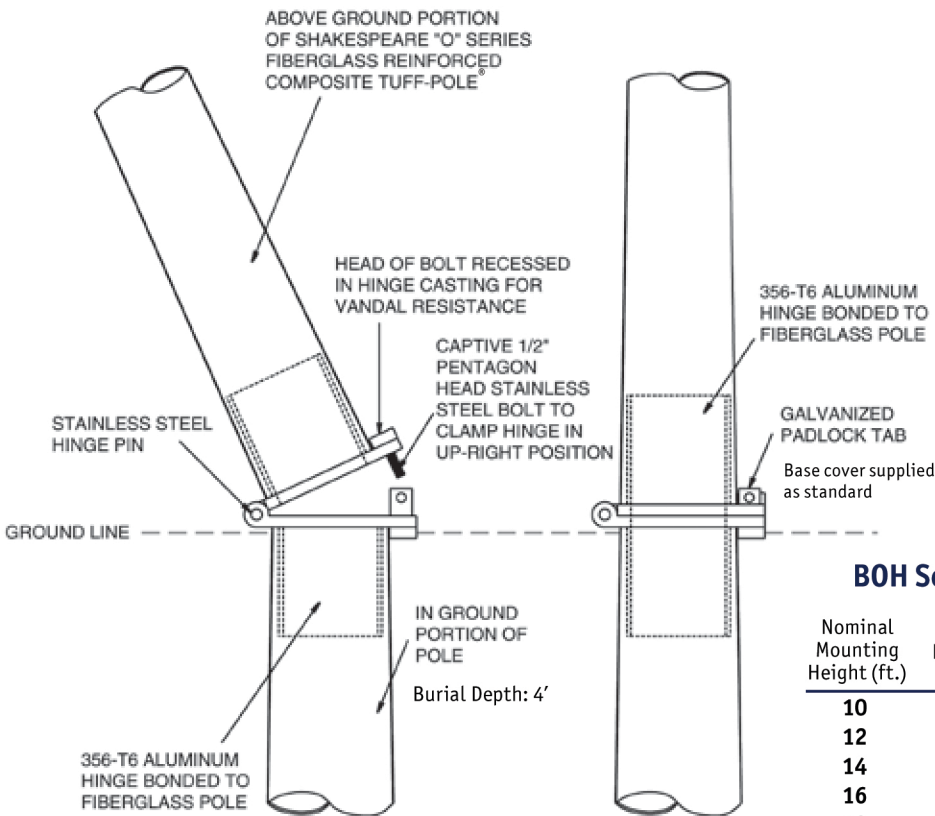


# BOH Series Tuff-Hinge Direct Burial Poles



## HOW TO ORDER

### BOH Series Hinge Base Direct Burial Poles

Nominal Mounting Height (ft.)	Shaft Length (ft.)	Top Dia. (in.)	Suggested Maximum Loading			Basic Catalog Number
			90MPH EPA	100MPH EPA	110MPH EPA	
10	14	5.5	19.3	15.3	12.5	BOH14
12	16	5.2	15.4	12.2	10.0	BOH16
14	18	5.0	12.6	10.0	8.1	BOH18
16	20	4.7	10.2	8.1	6.5	BOH20
18	22	4.0	8.2	6.5	5.1	BOH22
20	24	4.1	6.6	5.1	4.0	BOH24

## Shakespeare Tuff-Hinge Composite Poles Catalog Number Template

**Catalog Length (feet)**  
= Mounting Height + 4'

**Luminaire Mounting**  
01=3" Tenon (1<sup>9</sup>/<sub>16</sub>" min. ID x 3<sup>3</sup>/<sub>4</sub>" long)  
02=2<sup>3</sup>/<sub>8</sub>" Tenon (1<sup>9</sup>/<sub>16</sub>" min. ID x 3<sup>3</sup>/<sub>4</sub>" long)  
08=Capped and predrilled for single Shakespeare 8' to 14' arm  
99=Other (specify)

**BOH 14 - 01 - S5 - BE - 08**

**Tuff-Hinge Pole**

**Finish**  
S=Smooth  
Color Smooth

Black	S1
Gray	S2
Brown	S3
Green	S4
Dk Bronze	S5
Silver	S6
White	S7
Ant. Grn.	S8
Premium or Custom (specify)	S9

**Conductor Entrance, Size and Location**

	1 ea. 2 <sup>1</sup> / <sub>4</sub> "	2 ea. 2 <sup>1</sup> / <sub>4</sub> "	1 ea. 2 <sup>1</sup> / <sub>2</sub> "x6"	2 ea. 2 <sup>1</sup> / <sub>2</sub> "x6"
	Grommeted		No Grommet	
NONE	01	01	01	01
12"	38	39	42	43
24"	08	09	12	13
Other (specify)	99	99	99	99

**Handhole (with removable cover)**  
AA=none  
BE=2<sup>1</sup>/<sub>2</sub>"x5" Oval 66" from base of pole  
BZ=Other (specify)



**Shakespeare**

A valmont BRAND

19845 U.S. Highway 76, Newberry, SC 29108  
803-276-5504 · 800-800-9008 · Fax: 803-276-8940  
[www.skp-cs.com](http://www.skp-cs.com)